



see what Delta can do™

## BATHROOM FAUCETS

- Trinsic® Collection
- Single Handle Deck Mount

### STANDARD SPECIFICATIONS:

- Max. flow rate 1.2 gpm @ 60 psi, 4.5 L/min @ 414 kPa
- GPM indicates max. 1.0 gpm @ 60 psi, 3.8 L/min @ 414 kPa
- HGM indicates max. 0.5 gpm @ 60 psi, 1.9 L/min @ 414 kPa
- 1 or 3 hole mount (escutcheon optional, included)
- Diamond coated ceramic cartridge
- 1/4" O.D. straight, staggered PEX supply tubes
- Solid metal body
- Models have metal drain with push pop-up type fitting with plated flange and stopper, no lift rod
- Optional red/blue indicator ring provided with model
- Models with suffix "LPU" are less pop-up.

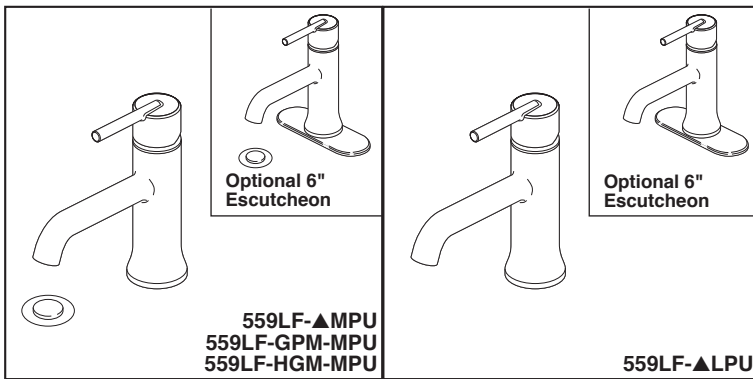
### WARRANTY

- Parts and Finish - Lifetime limited warranty; or for commercial purchasers, 10 years for multi-family residential (apartments and condominiums) and 5 years for all other commercial uses, in each case from the date of purchase.
- Electronic Parts and Batteries (if applicable) - 5 years from the date of purchase; or for commercial purchasers, 1 year from the date of purchase. No warranty is provided on batteries.



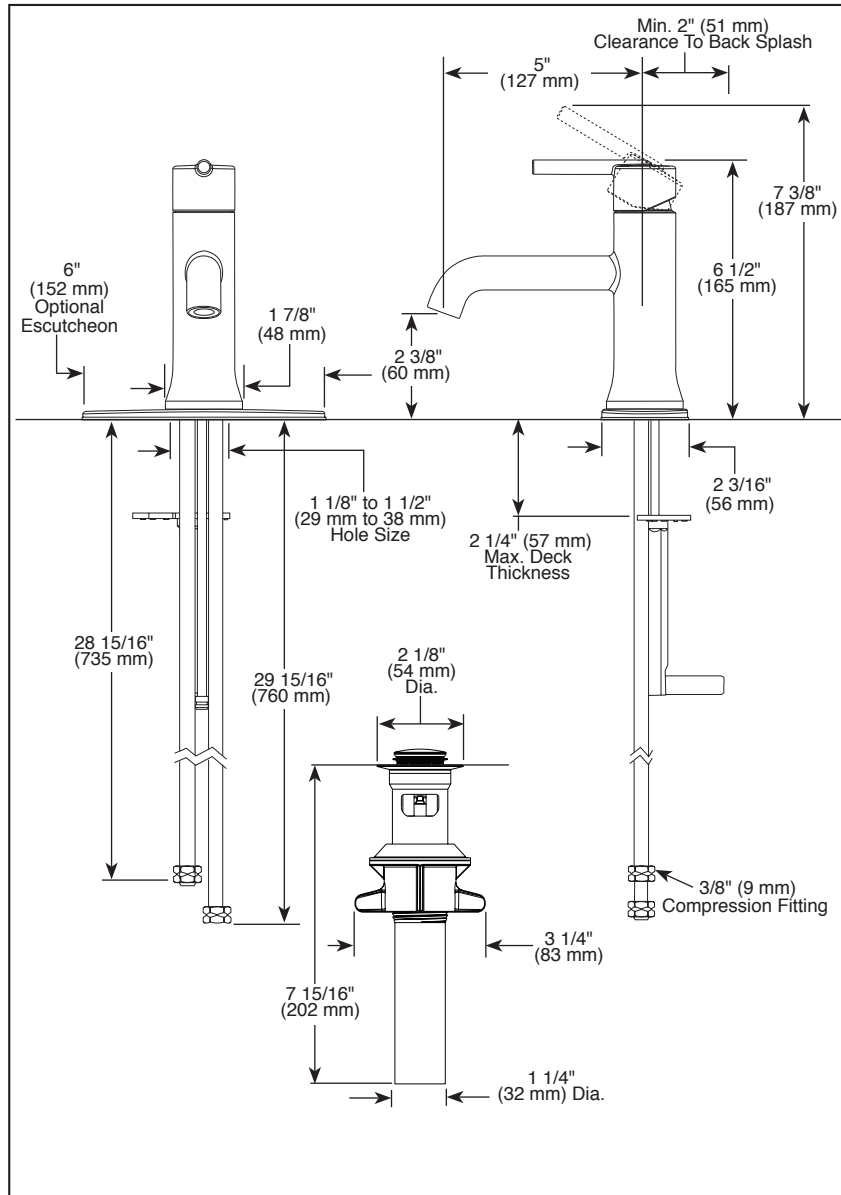
### COMPLIES WITH:

- ASME A112.18.1 / CSA B125.1
- ASME A112.18.2 / CSA B125.2
- ♿ Indicates compliance to ICC/ANSI A117.1
- EPA WaterSense® - Applies to 559LF-▲MPU, 559LF-GPM-MPU & 559LF-▲LPU only



Submitted Model No.: \_\_\_\_\_

Specific Features: \_\_\_\_\_



▲ Designate Proper Finish Suffix

Delta reserves the right (1) to make changes in specifications and materials, and (2) to change or discontinue models, both without notice or obligation. Dimensions are for reference only. See current full-line price book or www.deltafaucet.com for finish options and product availability.

DSP-L-559LF-MPU Rev. I

### Delta Faucet Company

55 E. 111th Street, Indianapolis, IN 46280  
350 South Edgeware Road, St. Thomas, ON N5P 4L1  
© 2023 Delta Faucet Company